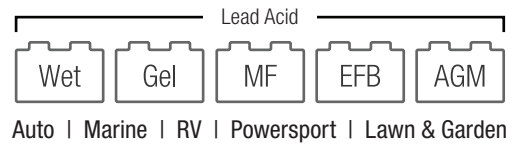


GENIUS2D 12V 2A



NOCO genius[®] 2^D™ BATTERY CHARGER™ + MAINTAINER



CHARGE FULLY DRAINED BATTERIES.

ATVs, Lawn Mowers, Motorcycles, Cars, Trucks, Boats, RVs, Tractors, Equipment, And More.

Introducing the GENIUS2D, one of our most powerful, highest-performing, energy-efficient, and compact chargers yet. The GENIUS2D is a 2-amp direct-mount battery charger and battery maintainer engineered to be securely mounted near the battery. It is designed for all types of 12-volt lead-acid batteries, including flooded, gel, AGM and other maintenance-free batteries.



DIRECT MOUNT.

Weather-resistant on-board charger, built to survive harsh conditions, like engine compartments. Simply plug into a standard extension cord when parked.



CHARGE.

Fully charge batteries on cars, boats, equipment, and more. Works with most lead-acid batteries.



MAINTAIN.

Extend the life of your battery. Optimize performance without overcharging. Safely leave connected indefinitely.

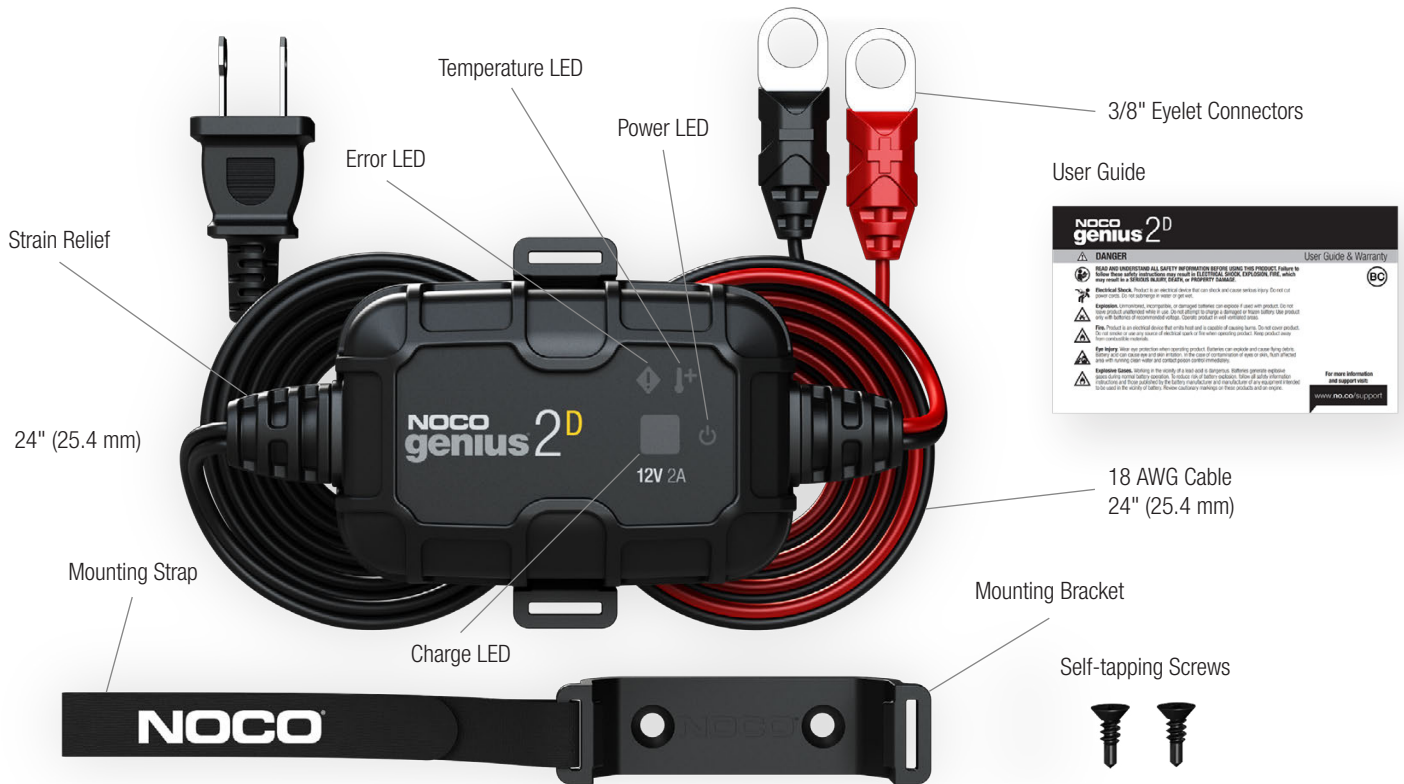
24/7

WORRY-FREE.

Provides all-season, all-weather charging for a healthy battery. Leave plugged in 24/7 with no worries of overcharging. Automatically returns to its last selected mode.

WHAT'S IN THE BOX.

NOCO Patented Technology
Patented: visit no.co/patents



Technical Specifications

Input Voltage AC:	120-240 VAC, 50-60Hz	Chemistry:	Wet, Gel, MF, CA, EFB, AGM
Working Voltage AC:	90-264 VAC, 50-60Hz	Charging Current:	2000mA (12V)
Power:	28W Max	Charging Voltage:	Various
Low-Voltage Detection:	1V	Battery Capacity:	Up to 40Ah, Maintains All Battery Sizes
Back Current Drain:	<0.5mA	Housing Protection:	IP65
Ambient Temperature:	-20°C to +60°C, -4°F to +140°F	Dimensions (LxWxH):	5.0 x 2.3 x 1.5 Inches
Charger Type:	Smart Charger	Unit Weight:	0.50 lbs
Type of Batteries:	12V	Cooling:	Natural Convection

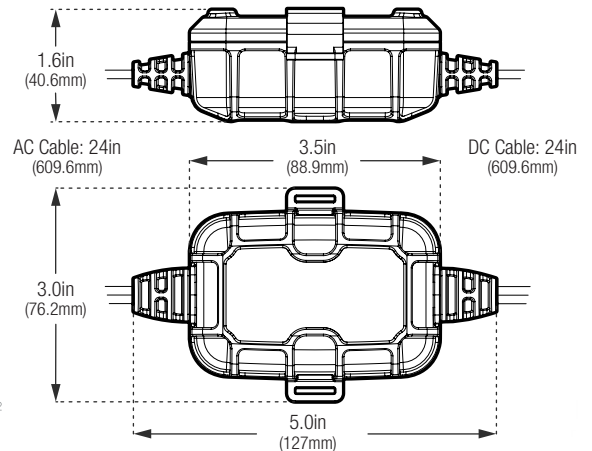
Charging Times

(for reference, results may vary)

Battery Size	Approx. Charge Time in Hours
	12V
8Ah	2
12Ah	3
24Ah	6
40Ah	10

What's In The Box

- GENIUS2D Smart Charger
- Mounting Bracket
- Self-tapping Screws
- Secure Velcro Strap
- User Guide & Warranty



Retail Packaging:

Dimensions: 5.00"x2.30"x1.50"
Weight: 0.50lbs
UPC: 0-46221-18013-8

Inner Carton:

Dimensions: 6.77"x4.09"x4.53"
Weight: 1.26lbs

Master Carton:

Dimensions: 17.24"x14.25"x9.84"
Weight: 21.65lbs
Quantity: 16
UCC: 10046221180135

Units Per Pallet:

NA - 480 Units
International - 384 Units



CONFORMS TO UL STD. UL1236
CERTIFIED TO CSA STD. C22.2 No.107.2

NOCO

30339 Diamond Parkway, #102
Glenwillow, OH 44139 | USA
1.800.456.6626

no.co

NOCO®